



Conergy SolarGiant III

The Conergy SolarGiant III is a highly versatile, ground-mounted photovoltaic mounting structure designed for small commercial to utility-scale, open field photovoltaic systems. The SolarGiant combines a simple yet robust structural design with high-strength slide-in module rails to provide a rugged PV mounting system that makes assembly and module installation exceptionally easy and fast. The SolarGiant's simple mounting footer design allows the SolarGiant to be used on even the most difficult sites and soil conditions with minimal site-preparation. SolarGiant III - the new state-of-the-art in open field arrays.



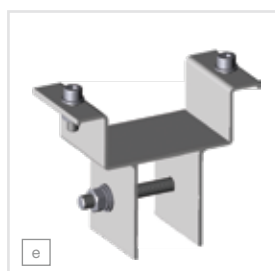
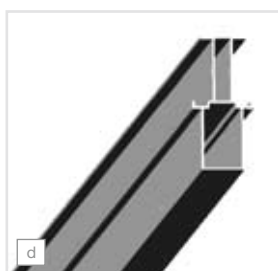
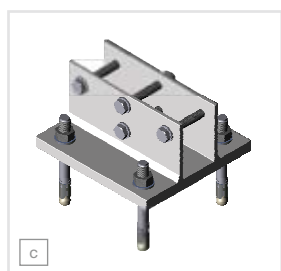
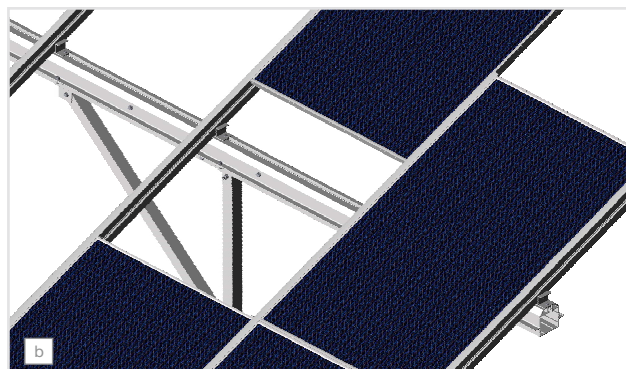
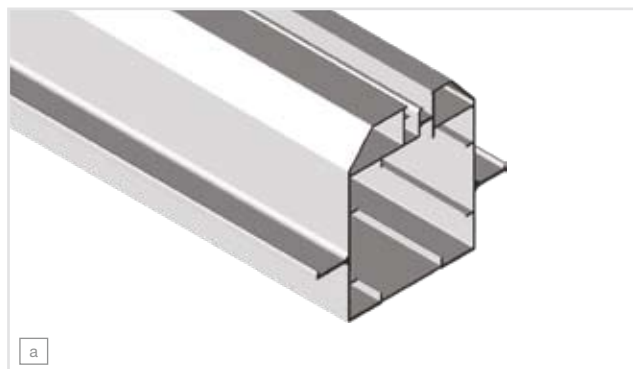
- | Structural strength
- | Mounting versatility
- | Fast structure assembly
- | Fast module installation
- | Long-term reliability

Discover solar energy:

www.conergy.us | info@conergy.us | (888) 396-6611



Conergy SolarGiant III



- a Cross beam
- b Slide-in module installation
- c Footplate
- d Slide-in rail
- e Brace connector

Technical specifications	
Maximum array size	16ft x 27ft (5m x 8.25m)
Tilt range	15° - 35° ¹
Wind load	90mph, 120mph, 15° - 30°
Ground snow load	20psf ¹
Array structural components	ENAW 6060/6063 Aluminum
Array assembly components	Aluminum/Stainless steel
Module types	Framed or laminate ²
Module thickness	Framed modules of any thickness and laminate modules can be accommodated
Module orientation	Portrait or landscape ²
Warranty	10 years on materials

1. Other tilt angles, wind and snow loads are possible. Please contact Conergy.
 2. Landscape mounting in slide-in rails requires modules approved for end mounting.
 Rails for standard landscape mounting are available at nominal additional cost.